

## Single Cylinder Hydraulic Cone Crusher

### Principle

The motor drives the eccentric shaft to revolve in fixed outer cone through belt pulley and gear assembly centering on the theory vertical line. The movable inner cone and the eccentric shaft revolve at the same time, and the inner cone does the reciprocating rotary oscillation in crushing cavity. When the movable inner cone gets close to the fixed outer cone, the ores between them will be crushed. When the movable inner cone is away from the fixed outer cone, the crushed ores will be discharged because of its own gravity. When the material that cannot be crushed falls into the crushing cavity, the single cylinder hydraulic at the bottom will control the movable inner cone to fall, by which the discharge outlet can be adjusted and the blocked ore can be discharged.

### Features

PYY series single cylinder hydraulic cone crusher, is a kind of cone crusher with world advanced technology, high crushing efficiency, low operation cost, and good shape of the end products.

PYY series single cylinder hydraulic cone crusher is designed for optional variety of cavities. By selecting suitable cavities and eccentricity, it ensures the producing demand of customer in maximum and realizes high capacity.

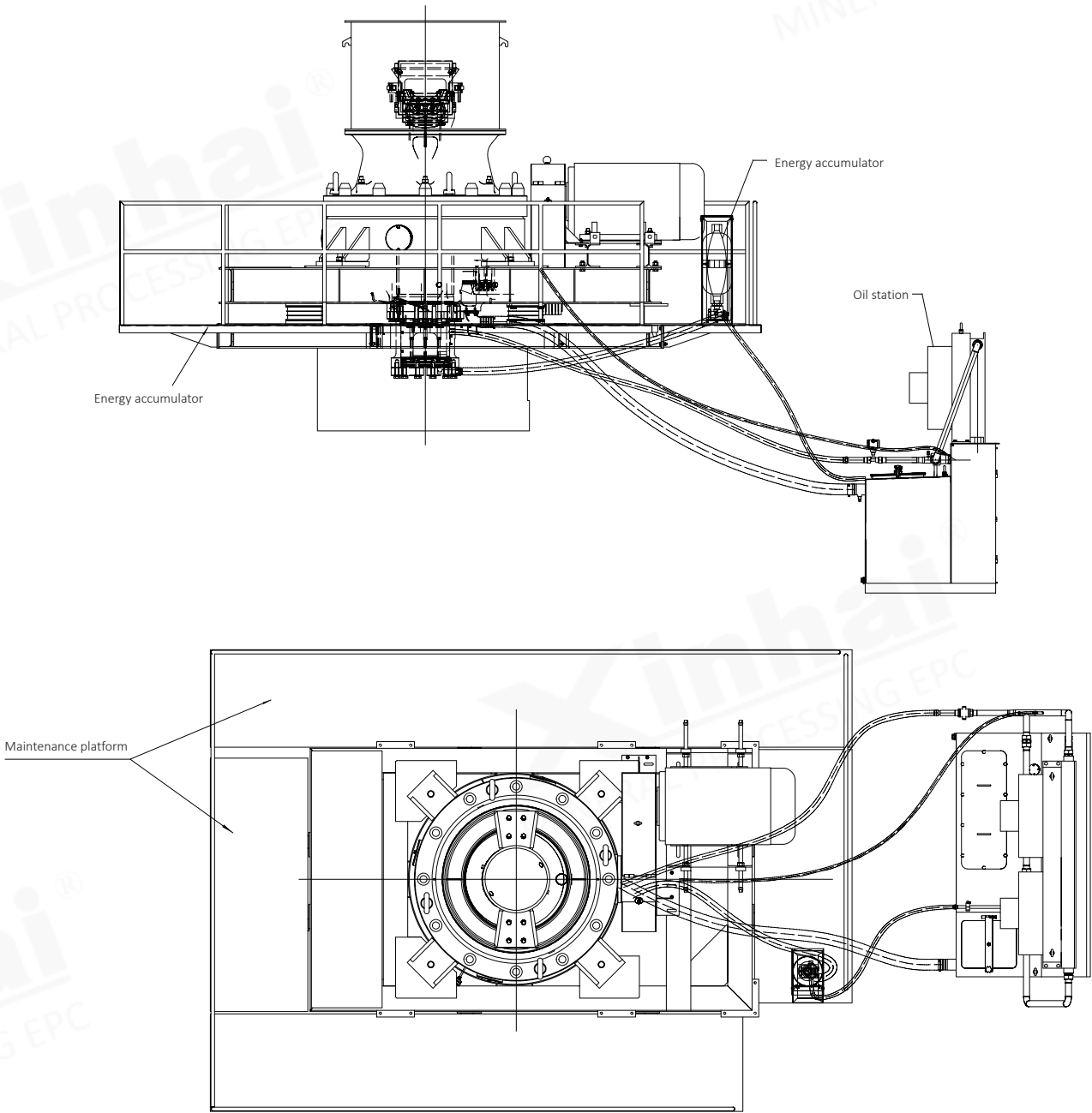
The discharge outlet can be adjusted timely and conveniently with hydraulic adjusting design, which realizes full load operation, lowers wear parts consumption and reduces operation cost.

Adopting advanced hydraulic technology, overload protection can be realized effectively, which simplifies the structures and reduces its weight. All maintenance and inspection can be fulfilled on the top of crusher, which ensures easy maintenance.

### Application

It is widely used in mining and gravel aggregate industry, suitable for crushing various materials with medium hardness or above such as iron ore, nonferrous metals ore, granite, limestone, quartzite, sandstone, cobble, etc.





■ Structure Drawing of Single Cylinder Hydraulic Cone Crusher

**Technical Parameters of PYY Series Single Cylinder Hydraulic Cone Crusher**

Model	Cavity	Inlet Dimension (mm)	Max. Feed Size (mm)	Min. Outlet Dimension (mm)			Max. Feed Dimension (mm)			Power (kW)	Weight (t)
				Stroke	Stroke	Stroke	Stroke	Stroke	Stroke		
PYY100				16	22		16	22		90	6
	A	150	120	12	15		39	37			
	B	130	105	10	11		33	31			
	C	100	85	7	9		33	30			
	D	40	32	5	6		31	29			
PYY200				18	25		18	25		160	10.6
	A	220	180	18	22		35	30			
	B	150	120	15	19		35	30			
	C	80	60	9	12		35	30			
	D	40	32	6	8		35	30			
PYY300				25	32		25	32		250	18.5
	A	230	190	20	25		45	40			
	B	150	125	17	20		45	40			
	C	80	60	10	13		40	35			
	D	40	32	6	8		40	35			
PYY500				25	32	40	25	32	40	315	22.5
	A	230	180	22	26	30	50	45	40		
	B	150	125	19	22	26	48	43	38		
	C	100	80	12	14	16	40	35	30		
	D	50	40	8	10	12	30	25	20		

Model	Stroke	Tight Selvege Outlet (mm) and Corresponding Production Capacity (t/h)								
		8	12	16	20	25	30	35	40	45
PYY100	16	35~40	45~55	55~65	65~75	75~85	90~100	105~115		
	22	45~50	55~65	65~75	75~90	85~105	100~125	115~135		
PYY200	18	65~75	75~90	85~105	100~125	135~150	160~175	170~190		
	25		90~110	110~130	125~155	160~180	185~210			
PYY300	25	100~120	110~135	130~160	150~180	170~200	200~230	230~260	250~290	270~310
	32	110~135	130~150	160~200	180~220	200~250	230~280	260~310	280~320	300~340
PYY500	25	100~120	120~150	140~170	160~190	190~220	220~250	250~280	280~310	330~370
	32		150~170	170~200	200~230	250~270	280~300	310~340	370~420	430~500
	40		180~200	210~240	250~280	300~330	330~380	370~420	430~500	