

CRUSHING

Jaw Crusher

Principle

Through cyclical movement of mobile jaw that swings around fixed jaw, materials between the two jaws are extruded, which causes crushing effect.

Features

Large reduction ratio, optimum design of cavity, and high crushing efficiency.

High revolution speed of mobile jaw and curved jaw plate make high production capacity.

Application

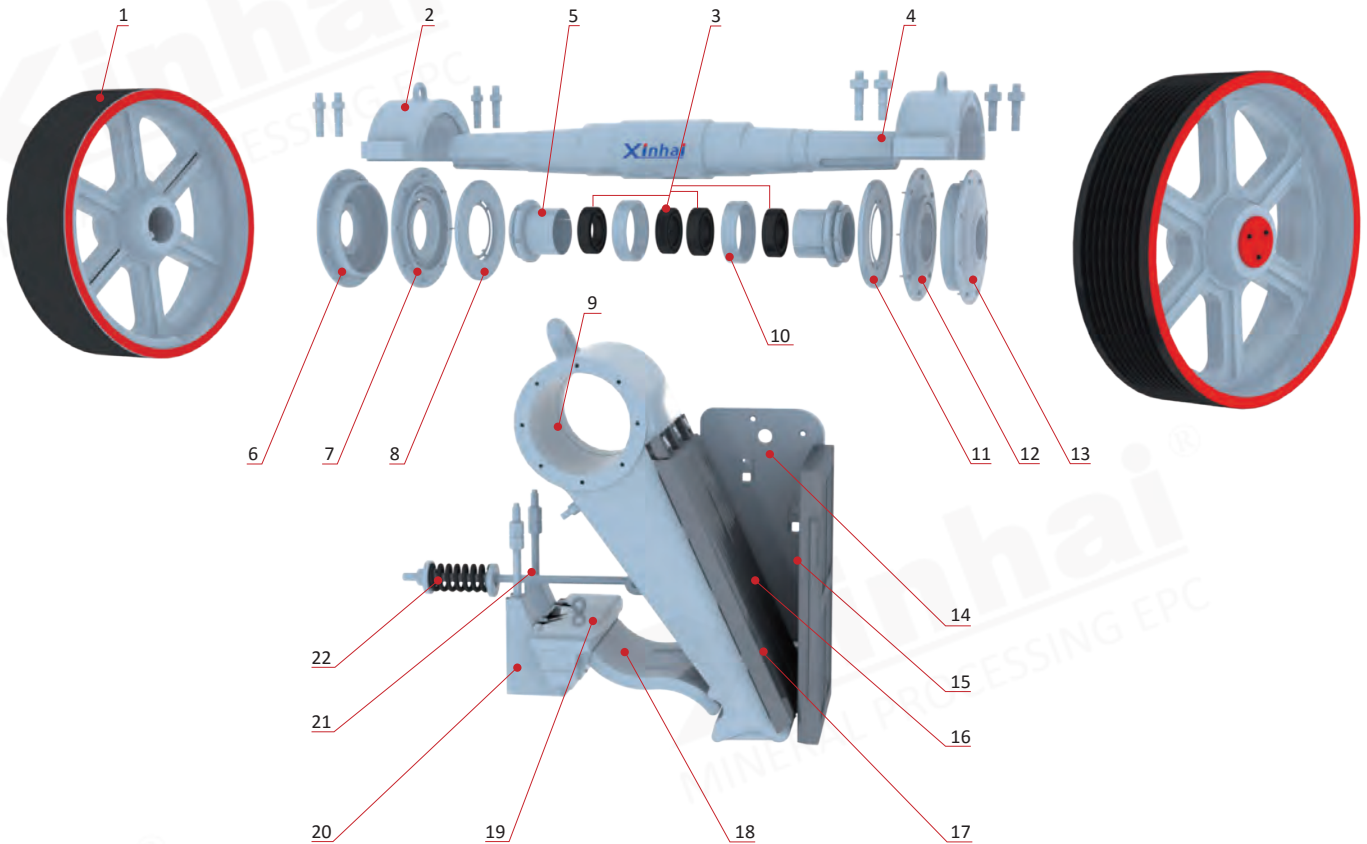
Jaw crusher is widely used in mineral processing, building materials, silicate and chemical industry. In mineral processing industry production, it is commonly used for coarse & intermediate crushing of hard or medium hard ores.



Technical Parameters

Type	Model	Inlet Dimension (mm)	Outlet Dimension (mm)	Max. Feed Size (mm)	Capacity (t/h)	Rotating Speed of Eccentric Wheel (r/min)	Motor Power (kW)	Overall Dimension (mm)	Weight (kg)
Ordinary Crushing	PE100×150	100×150	5~20	80	0.5~2	300	2.2	525×535×605	230
	PE150×250	150×250	10~40	125	2~6	300	5.5	875×745×935	1100
	PE200×350	200×350	10~50	160	6~10	300	7.5	1080×1060×1088	1600
	PE250×400	250×400	20~60	210	8~26	300	15	1108×1090×1392	2396
	ZGPE250×400				8~16			1430×1316×1296	2800
	PE250×500	250×500	20~80	210	13~45	300	18.5	1360×1450×1440	3100
	ZGPE250×500				13~21			1425×1420×1417	3300
	PE400×600	400×600	40~100	350	25~64	275	30	1650×1748×1520	5800
	ZGPE400×600				14~36			1716×1736×1653	6500
	PE500×750	500×750	50~120	400	30~80	275	45	1900×1876×1821	9000
	ZGPE500×750					250		1980×2024×1920	12000
	PE600×900	600×900	75~200	480	56~192	250	75	2280×2245×2320	16700
	ZGPE600×900								2280×2245×2320
	ZGPE750×1060	750×1060	80~235	630	108~256	250	90	2450×2472×2795	28000
	ZGPE900×1200	900×1200	95~265	750	186~398	200	110	3335×3182×3025	50000
	ZGPE1100×1400	1100×1400	150~300	950	250~600	193	132	3900×3040×3875	70000
ZGPE1200×1500	1200×1500	160~320	1000	280~700	190	160	3800×3040×4150	82000	
Fine Crushing	PEX150×750	150×750	18~48	120	8~25	320	15	1210×1572×1045	2800
	ZGPEX150×750		10~40					1240×1586×1025	3500
	PEX200×1000	200×1000	20~55	160	12~50	330	22	1860×1385×1200	5200
	ZGPEX250×750	250×750	20~60	210	10~45	320	30	1751×1400×1515	4900
	PEX250×1000	250×1000	20~50	210	15~50	330	30	1550×1990×1370	6500
	ZGPEX250×1000							1650×1958×1460	6800
	ZGPEX250×1200	250×1200	20~60	210	20~60	320	45	1650×2170×1465	9000
	ZGPEX300×1300	300×1300	25~65	250	20~80	330	55	1980×2456×1740	11500

Note: ZG-Cast steel shell crusher; X-Fine crushing crusher.



■ Separation Drawing of Jaw Crusher

- ⊙ Notes: 1. Flywheel
 2. Bearing cap
 3. Fastening liner
 4. Self-aligning roller bearing
 5. Eccentric shaft
 6. Outer end cap
 7. Inner end cap
 8. End cap
 9. Moving jaw
 10. Inner shaft sleeve
 11. End cap
 12. Inner end cap
 13. Outer end cap
 14. Upper side guard
 15. Fixed dental plate
 16. Lower side guard
 17. Moving dental plate
 18. Bracket
 19. Adjusting base
 20. Adjusting wedge
 21. Support base
 22. Spring